

2.0M CMOS HD Box IP Camera ZNB-2000 WP- WDRD Series

Specifications

This specification applies to ZNB-2000 WP -WDRD/(-W)/(-POE)Series.

1.Basic Description

ZNB-2000 WP -WDRD series based on IP network,achieve network digital surveillance,transmit clear, smooth video surveillance images.

ZNB-2000 WP -MPC-WDRD series use Mega Pixel 1/3" Progressive Scan CMOS and advanced H. 264



codec,Maximum digital images resolution:1080*720,Excellent wide dynamic function, low light performance.Supports dual streaming, Transmit high-quality H.264 video in the low-bandwidth network environment smooth , also supports MJPEG compression;Support DC drive auto iris lens;Support audio, alarm function, provide third-party systems integration interface.

The series are suitable for public security, banking, ports, schools, buildings, residential zone and other places, Have excellent image reproduction capability in the low illumination environment, It is a good choice for digital HD video network surveillance .

3.Expand Type

Basic: ZNB-2000 WP

POE: ZNB-2000 WP P

WIFI: ZNB-2000 WP W

4.Key Features

- ◆ Max resolution:1080×720, output HD 720P image
- ◆ 1/3"Progressive Scan CMOS,Capture motion images without jagged
- ◆ Excellent low light performanc,Min.Illumination:0.05Lux@(F1.2)
- ◆ WDR≥100dB
- ◆ H.264/MJEG is optional, dual streaming,high compression ratio,and high quality.
- ◆ Auto iris, auto electronic shutter
- ◆ High signal-to-noise ratio,Clear image
- ◆ Built-in MIC,two-way talking
- ◆ 1 channel CVBS video output
- ◆ Support SDHC storage; SD2.0 standard,maximum storage 32G
- ◆ Power supply:DC12V/POE (Optional)
- ◆ Support 4 area privacy mask
- ◆ Support motion detection, network fault detection and alarm video, image snapping
- ◆ Built-in Web server enables the use of a standard Web browser for viewing and management.
- ◆ Support ONVIF protocol

5.Applications Scenarios

Applicable for finance, telecommunications, government, schools, airports, factories, hotels, museums, transportation etc.

6.Applications Scenarios

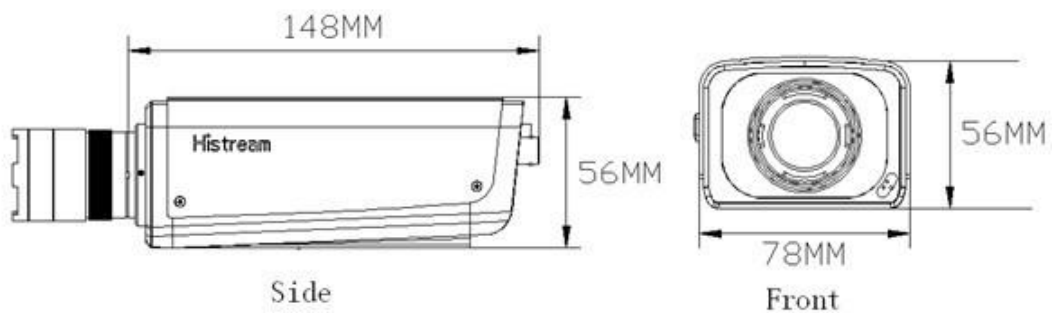
Model	ZNB-2000 WP	
Hardware		
Network chip	Lan	Realtek 10/100M BASE-TX Self-adapting
Sensor	1/3" Progressive Scan WDR CMOS	
Effective Pixels	1280(H)×720(V)	
Min.Illumination	Color Mode:0.05Lux @F1.2	
S/N	≥50db(AGC OFF)	
WDR	≥100db	

Auto Electronic Shutter		Auto
Interfaces		
Optical lens	Interfac es	CS/C
	Lens	Auto Iris(DC drive)
	Focal Length	Optional
Audio Talkback		1 channel MIC input,Built-in or external access
Audio Output		1 channel linear output
CVBS video output		1 channel ,BNC connector
Storage Interface		SDHC card supports video storage and image snapping; SD2.0 standard,maximum storage 32G
Network Interfac e	Lan	10/100M BASE-TX,RJ-45 connector
I/O		1-channel input, Normally Open/Normally Close modes adjustable; 1-channel output, 120VAC 1A/24VDC 1A,1 RS485 interface
Audio video encoding		
Video Compression		H.264 Main Profile; MJPEG/JPEG Baseline
Resoluti on	Master Streami ng	1280*720,1-25(30)fps/sec
	Second Streami ng	640*480,1-25fps/sec
		320*240,1-25fps/sec 160*112,1-25fps/sec
Video Bitrate		32Kbps~16Mbps,Supports CBR/VBR
Title OSD		Supports channel name, date, and video stream information overlay;OSD location is adjustable
Audio Compression		G.711,G.726 ,support 32 K stereo
Data transmission and storage		
Data storage		Video and Image
Recording		Recording set up to record by motion trigger,alarm trigger, manual, or schedule
Alarm Output		FTP.E-mail, Explorer, Software
Network protocol		TCP/IP.UDP.RTP.RTSP.RTCP.HTTP.DNS.DDNS.DHCP.FTP.NTP.PP POE.SMTP.UPNP
Wireless protocols(-W)		802.11b/g/n.Supports WEP,WPA,WPA2("-w" model supports)
ONVIF protocol		Support
Remote	Comput	IE 6.0 or up, max 10user

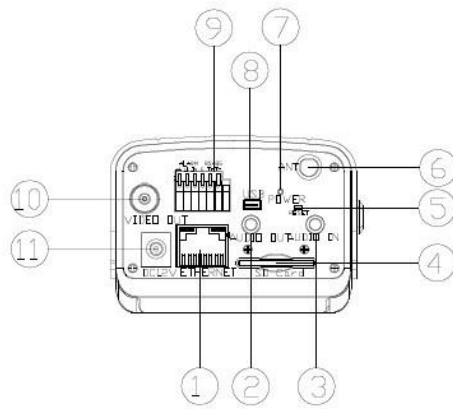
View	er	
	Mobile Phone	Windows Mobile.Symbian.iPhone
General Parameters		
Operating Temperature	-10°C - +55°C	
Operating Humidity	0% - 90%	
Power	DC12V/POE(IEEE 802.3af)(Optional)	
Power Consumption	5W(MAX)	
Dimension	148(L) * 78(W) *56(H)mm(Lens not included)	
Weight	0.56KG	

7.Dimension Drawing

Dimension Drawing:



Interface:



- ① RJ45
- ② AUDIO OUT
- ③ AUDIO IN
- ④ SDHC CARD SLOT
- ⑤ RESET
- ⑥ ANT
- ⑦ POWER
- ⑧ USB
- ⑨ ALARM IN/OUT
- ⑩ VIDEO OUT
- ⑪ DC12V